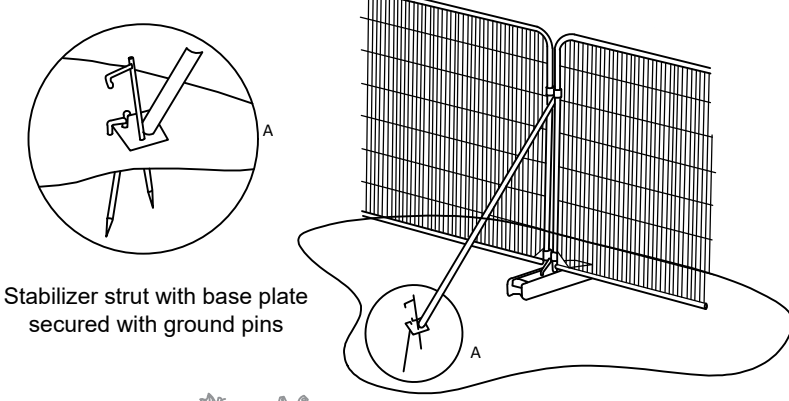
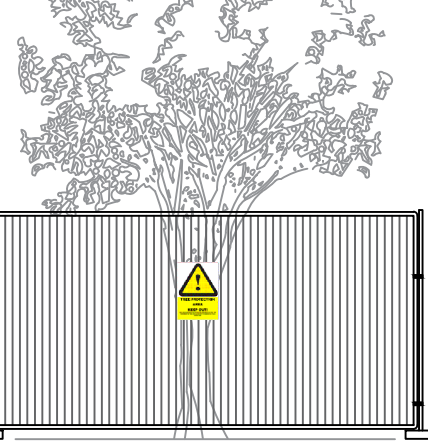


Tree Protection Specification - Above ground stabilizing system



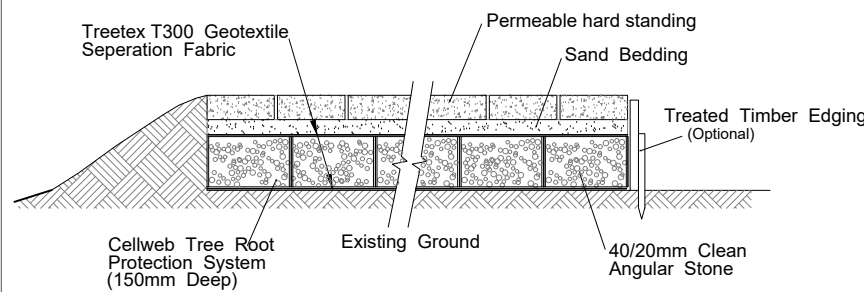
Stabilizer strut with base plate secured with ground pins

Stabilizer struts installed on every fencing panel section on the tree protection side



BS5837:2012 Figure 3

Construction Detail - Example of no-dig construction



Cellweb Tree Root Protection System (150mm Deep)



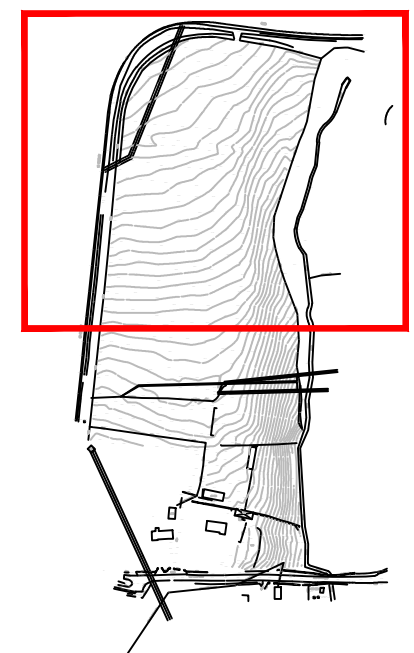
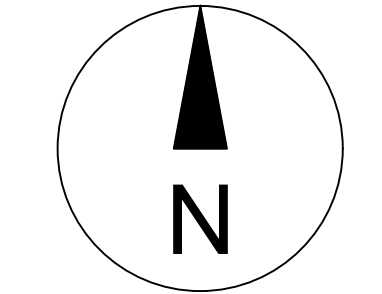
This drawing is to be read in conjunction with the respective arboricultural schedules and reports relevant to this project.
Where contradictions between this drawing and any other design information becomes apparent, the respective authors should be contacted immediately.
It is the responsibility of the main site contractor to check and verify all information and measurements onsite and confirm prior to the commencement of works, and to ensure that all site operatives work in accordance with respective arboricultural reports and BS5837:2012. Trees in relation to design, demolition and construction.

BS5837:2012 Tree Categorisation

- Category A**
Trees of high quality with an estimated remaining life expectancy of at least 40 years
- Category B**
Trees of moderate quality with an estimated life expectancy of at least 20 years
- Category C**
Trees of low quality with an estimated life expectancy of at least 10 years, or young trees with a stem diameter below 150mm
- Category U**
Those in such a condition that they cannot realistically be retained as living trees in the context of the current land use for longer than 10 years

- Key**
- Root Protection Areas**
The minimum area around a tree deemed to contain sufficient roots and rooting volume to maintain the trees viability.
 - Tree, Shrub or Hedgerow Group.**

- T970**
- Tree Protection Zone - Protective fencing to be installed as per Specification. Designated Construction Exclusion Zone.**
 - Concrete footpath required to be constructed above root level. Works to be carried out under arboricultural supervision. No excavation beyond 100mm permitted.**



A	02/08/23	Updated tree survey
Revision	Date	Description

Title:
Tree Protection Plan 02

Project:
Slane Road

Client:
Lagan Homes

Date:	April 2024	Scale:	1:500 @ A1	Status:	Planning
Drawn by:	CMcC	Dwg ref.:	191125-P-12-01	Rev.:	-
Checked by:	CMcC				

This drawing is the copyright of Charles McCorkell Arboricultural Consultancy has been produced for the client and project as stated above. The drawing may not be reproduced or amended, except by the written permission of Charles McCorkell Arboricultural Consultancy. No liability will be accepted for any amendments made by other persons. ©

CHARLES MCCORKELL
ARBORICULTURAL CONSULTANCY

T: 085 843 7015 / E: charles@cmarbor.com / W: www.cmarbor.com